

## Product information sheet AXIS III 6 S-IF

Item no. 522104

### Benefits

---



- Accentuated base contours create an aesthetically pleasing contoured bowl with large base area
- Flowing ergonomic work processes along two axis
- With a 3 1/2" stainless steel basket strainer
- High-quality features with the covered C-overflow and InFino drain system – elegantly integrated and extremely easy-care

## Planning information

---

- Cut out size: 979 x 489 x R15

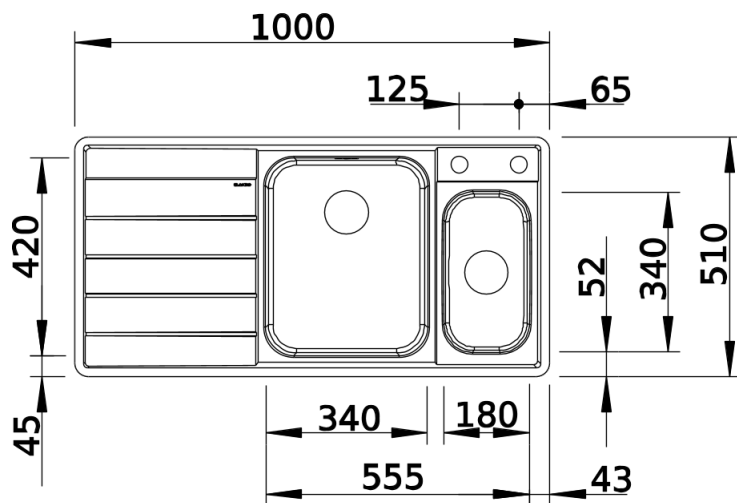
## Scope of supply

---

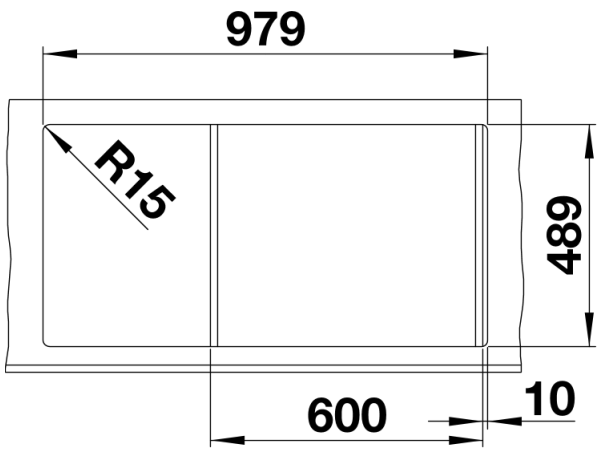
- Movable chopping board made of safety glass, multifunction colander in stainless steel (hangs in the main bowl,) Waste fitting with space-saving pipe, 3 ½" InFino basket strainer, pop-up waste for main bowl

## Details

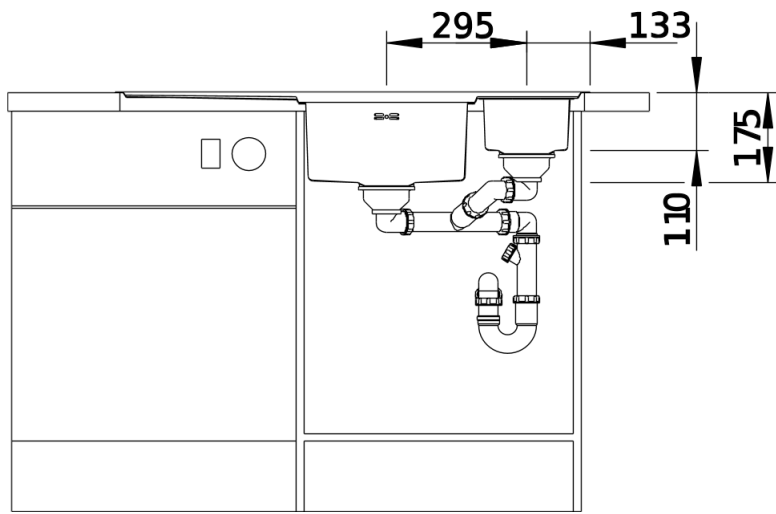
---



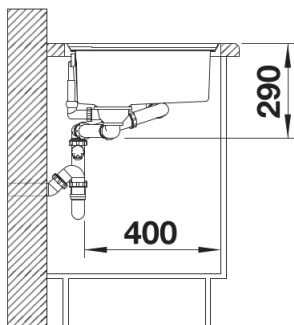
Top view



Cut-out



Front view



Side view